

FIRE SPRINKLERS



Prevents the fire from rapidly growing allowing you and your family to escape

Increases your chance of survival by an additional 80%

80%



Cut property loss by an average of 70%

Are hidden in ceilings and considered less obstructive to homeowners



They cost an average of \$2.50 per sprinkler squared foot to retrofit

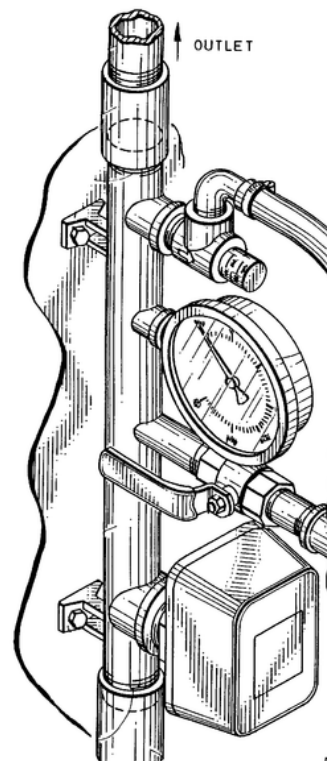
Allow the fire department to focus more on the growing medical needs



For more info, visit [www.http://www.san-marcos.net/departments/public-safety/fire-department/fire-prevention.com](http://www.san-marcos.net/departments/public-safety/fire-department/fire-prevention.com)

FIRE SPRINKLERS SAVE LIVES

MYTH/FACT



Fires kill nearly **4,000** people each year in the United States. Most of these deaths (**78.3%**) occur in homes.

MYTH #1

Water damage from a fire sprinkler system will be more extensive than fire damage.

FACT #1

Water damage from a home fire sprinkler system will be much less severe than the damage caused by water from fire-fighting or smoke and fire damage.

MYTH #2

When a fire occurs every sprinkler head will discharge.

FACT #2

Fire sprinklers are individually heat-activated. When the heat from a fire raises the sprinkler to its operating temperature, only that sprinkler activates. Residential fires are often controlled with just one fire sprinkler head.

MYTH #3

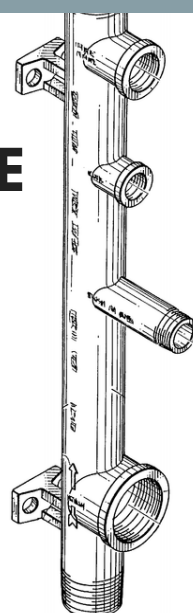
Fire sprinklers are only designed to protect property, but are not effective for life safety.

FACT #3

Fire sprinklers provide a high level of life safety and are designed to prevent flashover, giving you more time to escape.

SYSTEM TESTING AND MAINTENANCE

The only testing required on a regular basis is opening the drain/test valve to check the alarm operation. The rest of the system is designed to operate properly for years or more without any maintenance.



IT IS THE RESPONSIBILITY OF THE OWNER TO TEST AND MAINTAIN THE SYSTEM.